

FT440 - Frying oil tester

Spec sheet

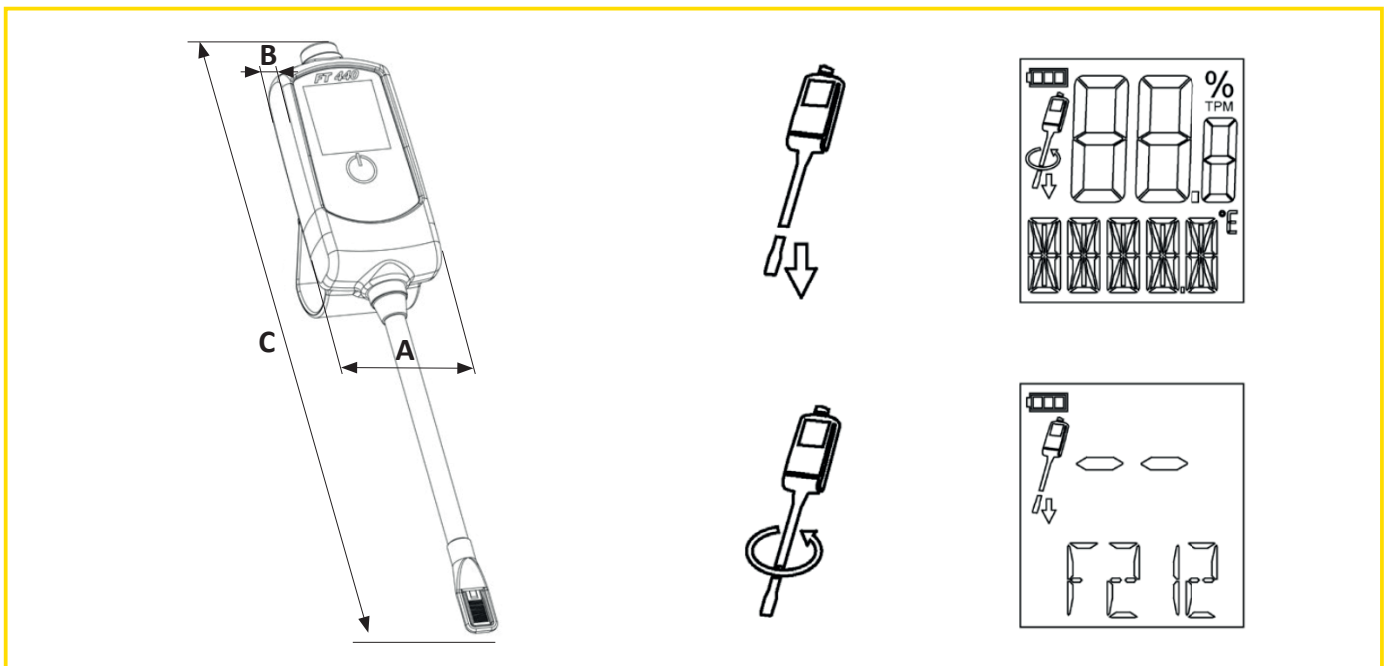
VITO
oil filter system

Functionality:

FT440 determines easily, quickly and reliably the quality of your frying oil. It measures the „Total Polar Material“ (TPM) content in the oil and shows its value as a percentage value. The 3-coloured top alarm makes it even easier to evaluate the quality of the oil.

Features:

- ♣ Measures the quality and temperature of your oil
- ♣ Quick and reliable measurement
- ♣ Clear alarms via 3-coloured top alarm
- ♣ Ergonomic and sturdy design
- ♣ Wrist strap
- ♣ Robust case for storing the FT440
- ♣ High degree protection (IP 67)
- ♣ Supports HACCP standards



FT440 technical data:


Dimensions:	Width A	Depth B	Height C	Case Dimensions:				Width	Depth	Height
	54 mm 2.1 in	22 mm 0.9 in	314 mm 12.4 in					375 mm 14.8 in	71 mm 2.8 in	160 mm 6.3 in
Parameter	Resolution	Measuring range TPM	Measuring range °C/°F	Accuracy	Battery	IP format	Alarm function	Weight (with case)		
% TPM °C/°F	0.5 % TPM 0.1°C/°F	0 ... 40 % TPM	50°C ... 200°C 122°F ... 392°F	± 2.0 % TPM ± 1°C/°F	3V Lithium (CR 2477)	IP 67	3-coloured traffic light function	200 g (1.7 kg) 0.44 lbs (3.75 lbs)		

Accessories:

- ♣ FT440 Shadowboard

V 4.2





VITO AG

P: +49 7461 96289-0
info@vito.ag
www.vito.ag